

de-2318us VESA adapter

Assembly instructions

This VESA adapter is compatible with the following DELL monitors :

S2218H, S2218HN, S2318H, S2318HN, S2319H, S2319HN, S2418H, S2418HN, S2419H, S2419HN, S2421NX, S2718HN, S2718HX, S2718NX, S2721H, S2721HN, S2721NX, SE2219HN

WARNING

To minimize the risk of injury, it is important to read all instructions carefully before installation. We accept no liability for personal or material damage caused by improper use of this product.

Also, be sure to observe the technical specifications of the product.

1. Read all instructions thoroughly.
2. A faulty installation can lead to damage or serious injury. Ensure that the product and the monitor are securely mounted before use.
3. Make sure that the mount to which the product is attached can easily support the total weight of the monitor, computer, and adapter.



Technical Specifications

- **Maximum monitor weight:** 7 kg / 15.4 lbs
- **VESA standard compatibility:** 75x75 mm
- **Material:** plastic
- **Pivot angle:** compatible (90°)
- **Maximum operating temperature:** 35°C / 95°F
- **Maximum ambient temperature:** 35°C / 95°F

WARNING

Exceeding the maximum load capacity, operating temperature or ambient temperature can lead to serious injury or damage.

Important Safeguards



Please read this manual carefully and keep it for future reference. If you pass the product on to third parties, this manual should always be included. Ignoring these instructions may result in injuries or damage to people and products, for which we cannot accept any liability.

IMPORTANT - KEEP FOR FUTURE REFERENCE.

- The use of this product should always be in accordance with the specified safety instructions.
- Do not install your VESA adapter in combination with the monitor in places where people are located below.
- Do not exceed the maximum weight of the compatible monitor models, as this may result in serious injuries or property damage.
- Pay attention to the maximum ambient temperature of 35°C when using the product.
- Do not mount the VESA adapter near a heat source or in direct sunlight, as this may cause the adapter to overheat.
- Check if your mounting point (e.g., monitor arm) can support the weight of the monitor with the VESA adapter.
- The product is designed exclusively for mounting with a hole pattern of 75x75 / 100x100mm / 200x200mm.
- After installing the VESA adapter, the position of the monitor must be readjusted to ensure proper ergonomics.

WARNING

Ensure that the device is turned off and disconnected from the power supply before installation to avoid possible injuries or damage.

1. Before First Use

Check the product carefully for possible transport damage and for the absence of accessories, such as screws, which should be included in the scope of delivery.

CAUTION

Make sure that packaging materials and small screws and parts contained therein are inaccessible to children to minimize the risk of choking and other risks.

2. Maintenance and Cleaning

2.1 Maintenance

- It is recommended to check every three months that all screws are still tight. Also, regularly check the condition of all components of the product.
- Store the product in a cool and safe place, ideally at a maximum storage temperature of 40°C. For additional safety, keep the product away from children and preferably in its original packaging.
- Avoid any vibrations and shocks so as not to affect the life and functionality of the product.

2.2 Cleaning

- No corrosive or hot cleaning agents should be used to clean the product. Likewise, wire brushes, metal or other sharp materials are unsuitable for cleaning and should not be used.
- For gentle and effective cleaning, the use of a soft, damp cloth is recommended.

3. Waste Disposal

For the disposal of this product we recommend to contact the responsible local authorities or disposal services. They can provide you with detailed information on available disposal options and recycling centers in your area.

4. Manufacturer Information

3idee S.à r.l.
19 Rue de Bitbourg
L-1273 Luxembourg
Luxembourg

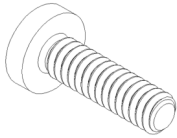
mail: info@3idee.eu

5. Help and Feedback

If you need help with your article, we are here for you. We also appreciate any feedback.

<https://help.3idee.eu/en/contact>

Scope of Delivery Accessories



4x M4x14 screw Phillips (**SP2**)

⚠ NOTE: Please check before assembly that all accessory parts are complete. If anything is missing, please contact our customer service immediately via email or phone. We are happy to assist you.

Horizontal / Vertical Alignment

⚠ NOTE: Not all VESA adapters and monitors are designed for a vertical (portrait) orientation. This limitation is often due to the specific geometry of the adapter or monitor. Do not ignore this information, as the load limit of the adapter can be quickly exceeded if not mounted properly.

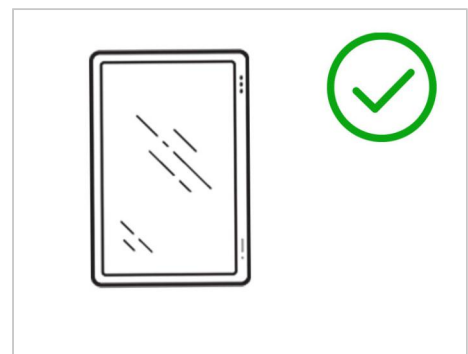
We are continuously working on developing monitors and adapters that are also suitable for vertical orientation.

By default, however, monitors are designed for a horizontal orientation.

**Horizontal
Mounting: YES**



**Vertical
Mounting: YES**



Assembly Instruction

Step 1

Remove the base of your monitor if it is already attached.

Step 2

Now place the monitor with the back facing up on a soft, safe surface and slide the VESA adapter into the screen as shown. (Figure 1)

When you hear a "click" sound, the adapter has successfully snapped into place and is securely connected to the monitor.

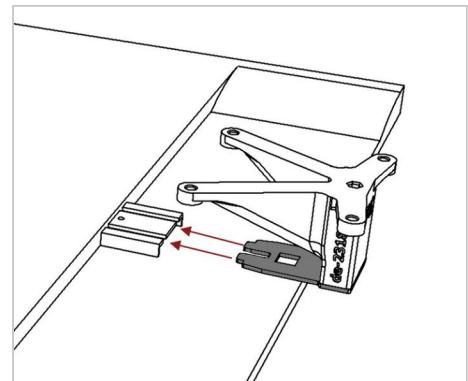


Figure 1

Step 3

Make sure the metal plate on the 3idee VESA adapter is correctly centered when inserting it into the monitor.



Step 4

Check again if the VESA adapter is firmly connected to the monitor. (Figure 2)

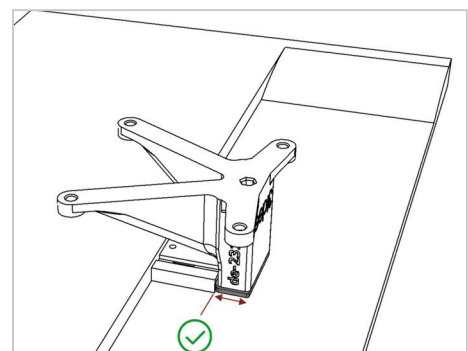


Figure 2

Step 5

⚠ **NOTE:** If the instructions provided in this step are not suitable for your device, please follow the mounting guidelines of your monitor arm or swivel arm manufacturer to attach the monitor to the wall or the swivel arm.

For this step, we recommend having a **2nd person**.

Now lift the monitor and hold it against your monitor mount. Attach the VESA adapter using the 4 included M4x14 screws (**Screw bag: SP2**).

It's best to first secure 2 screws diagonally so that the monitor cannot fall down, allowing you to easily attach the remaining screws.

⚠ **NOTE:** Pay attention to the correct screws!

(Figure 3)

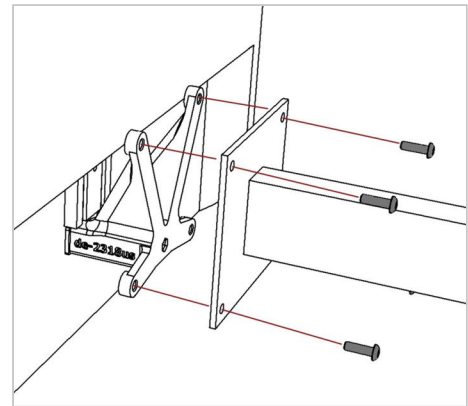


Figure 3

Step 6

When fully assembled, it should now look as shown. (Figure 4)

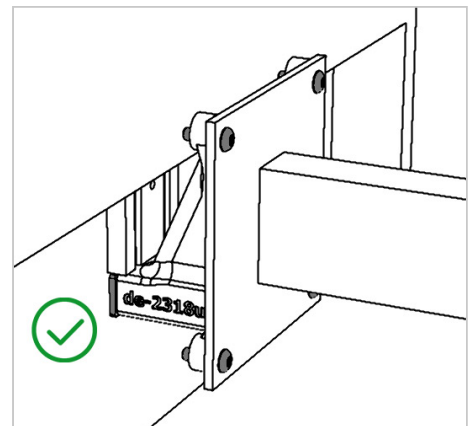


Figure 4